

PHAP40 series

Momentary or latching action key switches



DISTINCTIVE FEATURES

The smallest latching action switch of the range

Audible "click"

Double pole, double throw

Non-shorting contacts

Molded-in terminals



ELECTRICAL SPECIFICATIONS

- Max. current/voltage rating with resistive load : 100 mA 30 VDC
- Initial contact resistance : 100 mΩ max.
- Insulation resistance : 100 MΩ min. at 500 VDC
- Dielectric strength : 500 Vrms min. (1 min.)
- Electrical life at full load : 10,000 cycles



GENERAL SPECIFICATIONS

- Travel : see next page.
- Wave soldering : 255 °C (491 °F) - 5 secondes max.
- Manual soldering : 300 °C (572 °F) ± 10 °C (50 °F), 3 seconds
- Operating force :
 - Model PHAP4673 : 1.4 N ± 0.5 N
 - Models PHAP4683 and PHAP4383V : 2 N ± 0.5 N
- Operating temperature : -20 °C to +70 °C (-4 °F to +158 °F)



MATERIALS

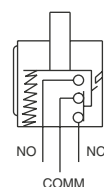
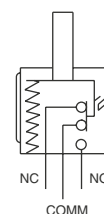
- Case : polyamide
- Actuator : polyamide
- Contacts : brass, silver plated

APEM products may be recycled at end-of-life for the re-claiming of valuable metal components.

The company reserves the right to change specifications without notice.



ELECTRICAL FUNCTIONS



PHAP40 series

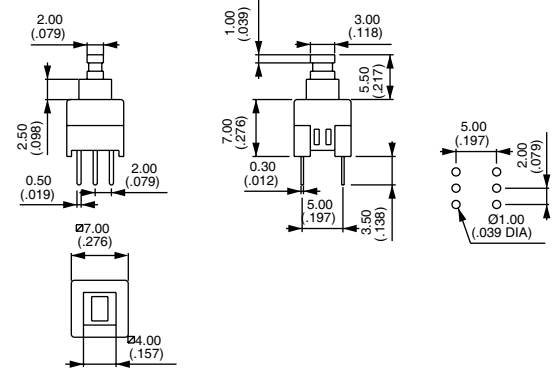
Momentary or latching action key switches

STRAIGHT PC TERMINALS CASE 7 X 7 (.276 X .276)



PHAP4673 ON - ON

Pre-travel : 1 mm (.039) - Total travel : 1.8 mm (.070)

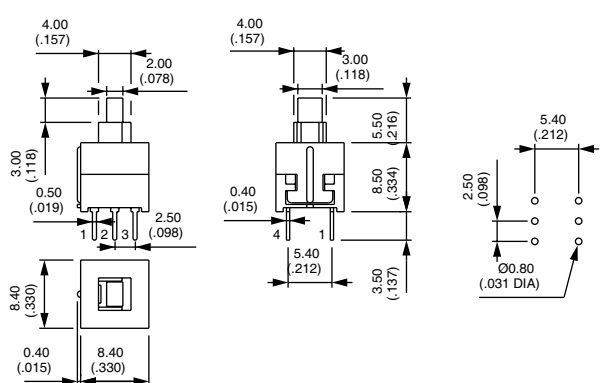


STRAIGHT PC TERMINALS CASE 8.40 X 8.40 (.330 X .330)



		-	
		-	
PHAP4683	ON	-	ON
PHAP4383V *	ON	-	MOM

Total travel : 2.5 mm (.098)
* Audible click



Models with case 6 x 6 mm (.236 x .236) on request.

CAPS

BASIC P/N

For cap colors, replace "0" with number :

- 1 Blue
- 2 Black
- 3 Green
- 4 Grey
- 5 Yellow
- 6 Red
- 7 Ivory
- 7/1 White
- 9 Orange

