

# PZ series

Piezoelectric keypads



## DISTINCTIVE FEATURES

Very long life

Front or rear mounting

12 keys

Panel sealed to IP68

Custom markings on request



## ENVIRONMENTAL SPECIFICATIONS

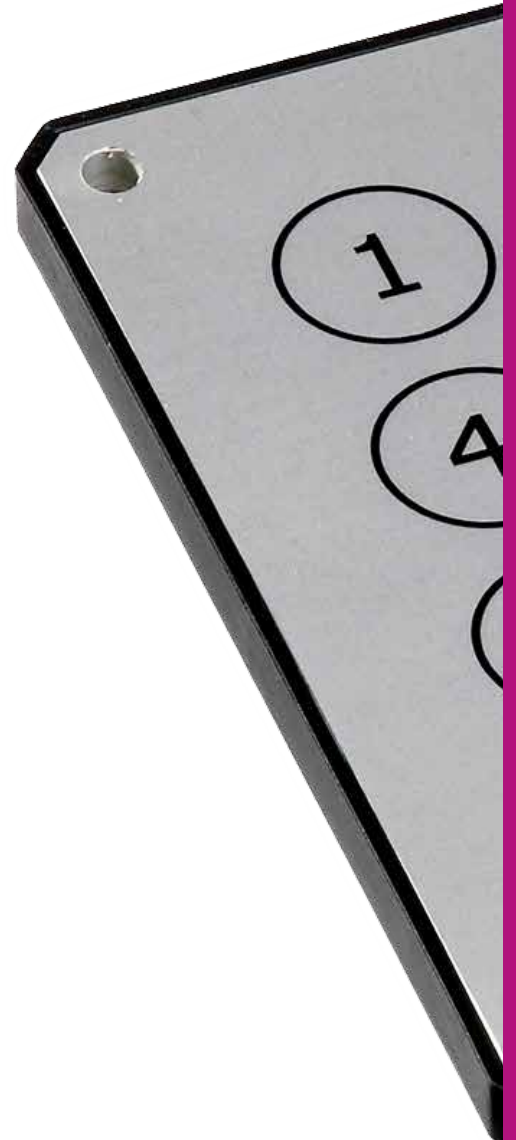
- Sealing : IP68 front and rear according to IEC 60529
- Operating and storage temperature :  
-40 °C to +85 °C (-40 °F to +185 °F)
- Rapid temperature variation test according to IEC 68-2-14 test N
- Endurance test at extreme temperatures : 300.000 cycles
- Shock resistance according to NF EN 60068-2-27 : up to 90 G
- Abrasion test R3799 with Taber 5900 : 20.000 cycles min.
- Flame resistance : UL94 HB horizontal position (30 seconds max.)
- Salt spray : 96 hours according to IEC 68-2-11 test Ka
- Washability : most commonly used detergents and solvents



## ELECTRICAL SPECIFICATIONS

- Output type : 4 x 3 matrix (NO contacts)
- Contact bounce time : 1ms max.
- Insulation resistance (OFF = not actuated) : 5 M $\Omega$  min.
- Initial contact resistance (ON = actuated) : 7.5  $\Omega$  max.
- Switching Voltage max. : 24 VDC
- Switching Current max. : 200 mA
- Electrical life : 10 million cycles min.
- ESD test : 20 KV max. according to IEC 1000-4-2

The company reserves the right to change specifications without notice.



# PZ series

Piezoelectric keypads



## GENERAL SPECIFICATIONS

- Actuating contact force : 2 to 4 N (depending on temperature)
- Stroke : none
- Mechanical life : 10 million cycles min.
- Connection : 8-pin male connector



## MATERIALS

- Front panel : anodized aluminum
- Case : hard thermoplastic resin
- Sealing O-ring : neoprene
- Marking : chemically structured anodized silk screen with high abrasion resistance

APEM products may be recycled at end-of-life for the re-claiming of valuable metal components.



## EXTRA FEATURES AVAILABLE ON REQUEST

- Specific marking including colors
- Backlighted version (under development)

# PZ series

Piezoelectric keypads



## BUILD YOUR PART NUMBER

PZ

SERIES

—

NO OF KEYS

**12** 12 keys

—

MATERIAL

**0** Aluminum natural anodized

—

MOUNTING

**R** Rear mounting

**F** Front mounting

—

MARKING

**S** Standard marking

**C** Custom marking

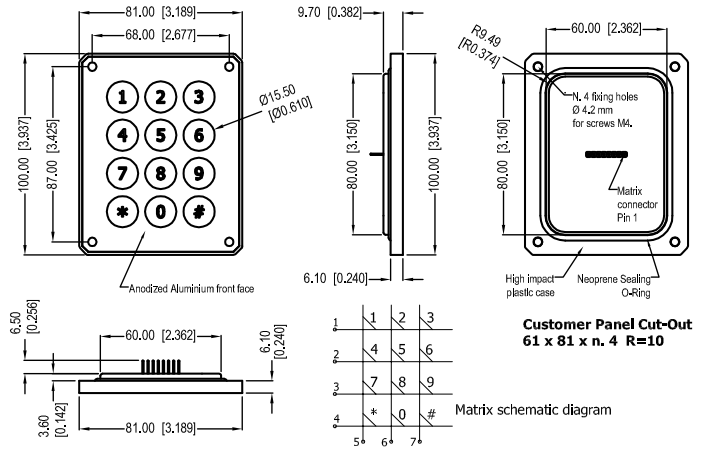
# PZ series

Piezoelectric keypads

## 12-KEY MODEL - FRONT MOUNTING



PZ120FS



## 12-KEY MODEL - REAR MOUNTING



PZ120RS

