

IZ series

Rear mounted sealed pushbutton switches •
bushing Ø 16 mm • momentary



DISTINCTIVE FEATURES

- Rear mounting for easier installation
- Momentary models
- Screw version available up to 4 A
- Sealed to IP67
- Illuminated or non-illuminated



ENVIRONMENTAL SPECIFICATIONS

- Front panel sealing : IP67 according to IEC 60529
- Shock resistance : 100 g according to IEC 512-4, test 6c
- Vibration resistance : 10-500Hz - 10 g according to IEC 512-4, test 6d
- Salt spray : IEC 512-6, test 11f
- Operating temperature : -40 °C to +85 °C (-40 °F to +185 °F)



ELECTRICAL SPECIFICATIONS

- Max. current/voltage rating with resistive load :
 - Gold plated silver contacts (code 4) : 200 mA 48 VDC
 - Silver contacts (code 2) - screw terminals : 4 A 48 VDC
- Electrical life at full load : 500,000 cycles
- Initial contact resistance : 100 mΩ max.
- Insulation resistance : 1 GΩ min. at 500 VDC
- Dielectric strength : 1,000 Vrms 50 Hz



LED COMPONENT SPECIFICATIONS

LED color	Forward current	Typ. forward voltage	Max. forward voltage
Super red (L0S)	20 mA	2.1 V	2.3 V
Yellow (L0Y)	20 mA	2.1 V	2.3 V
Green (L0G)	20 mA	2.1 V	2.3 V
Blue (L0B)	20 mA	3.2 V	3.8 V
White (L0W)	20 mA	3.35 V	4.25 V
Red/green (LSG)	20 mA	Red: 1.95 V / green: 2.1 V	2.5 V
Yellow/green (LYG)	20 mA	Yellow: 2 V / green: 2.1 V	2.5 V

A resistor must be series-connected by the user.
Resistor value = $\frac{\text{supply voltage} - \text{LED forward voltage}}{\text{LED forward current}}$

On flying lead versions, the LED resistor can be integrated by APEM on request.

The company reserves the right to change specifications without notice.

IZ series

Rear mounted sealed pushbutton switches •
bushing Ø 16 mm • momentary

GENERAL SPECIFICATIONS

- Panel thickness : 3 mm (.118) max.
- Total travel : 1.8 mm (.070) ± 0.3 mm
- Typical operating force : 6 N ± 2 N
- Low level or mechanical life : 1,000,000 cycles
- Torque : 0.7 Nm max. applied to nut
- Soldering : 320 °C (662 °F) max. for 3 sec.

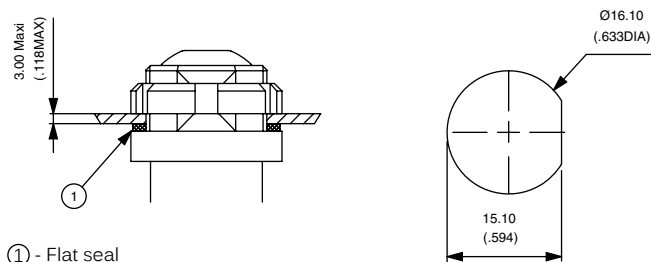
MATERIALS

- Case : thermoplastic UL94-V0
- Plunger : polyamide
- Bushing/bezel : polyamide
- Contacts :
4 : silver, gold plated
2 : silver (screw terminals)
- Multi-wire leads AWG20, section 0.6 mm²
- LED wire : AWG26, section 0.12 mm²
- Lens : polycarbonate
- Terminal seal : epoxy (except screw terminals)

APEM products may be recycled at end-of-life for the re-claiming of valuable metal components.

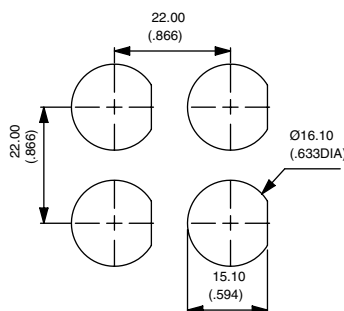
MOUNTING

PANEL CUT-OUT



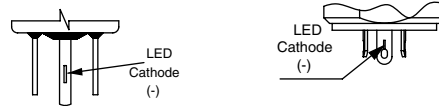
① - Flat seal

MATRIX MOUNTING

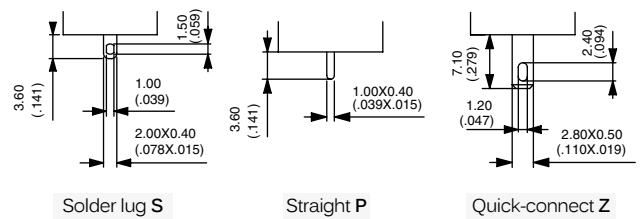


TERMINALS

ILLUMINATED

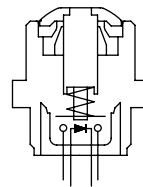


NON-ILLUMINATED



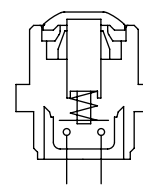
ELECTRICAL FUNCTIONS

ILLUMINATED MODELS



Function 3 (NO)

NON-ILLUMINATED MODELS

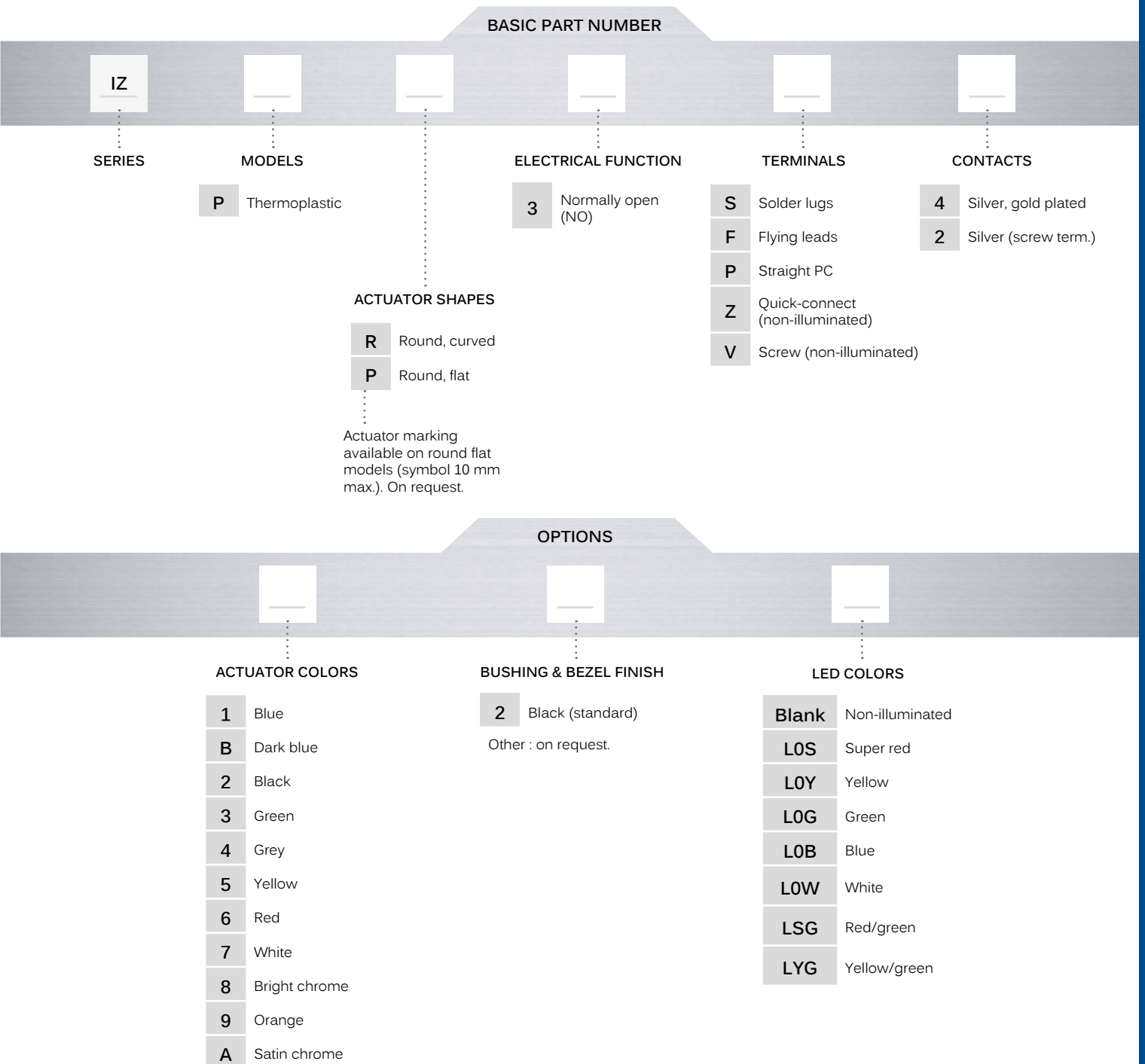


Function 3 (NO)

Rear mounted sealed pushbutton switches •
bushing Ø 16 mm • momentary



BUILD YOUR PART NUMBER



ABOUT THIS SERIES

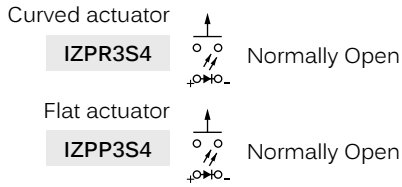
On the following pages, you will find successively basic part numbers of switches and options in the same order as in above chart.

- Notice** : please note that not all combinations of above numbers are available. Refer to the following pages for further information.
- A sealing boot** is available to protect the switches against frost and sand. See "Sealing Boots" section of website.
- Mounting accessories** : Standard hardware supplied : 1 castellated black plastic nut U4249 and 1 silicone flat seal. Wrench tool available under P/N U4028. Order separately.

IZ series

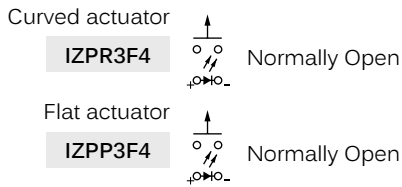
Rear mounted sealed pushbutton switches •
bushing Ø 16 mm • momentary

ILLUMINATED - SOLDER LUG TERMINALS



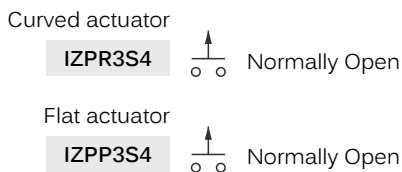
Also available with straight PC terminals : **IZP•3P4**.
LED color is indicated by the bottom of the switch.

ILLUMINATED - FLYING LEAD TERMINALS



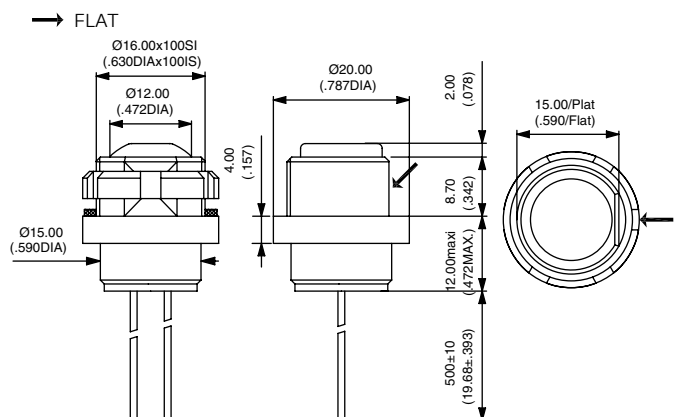
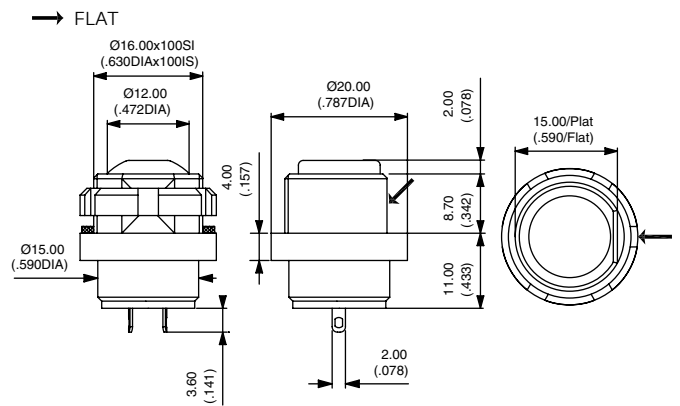
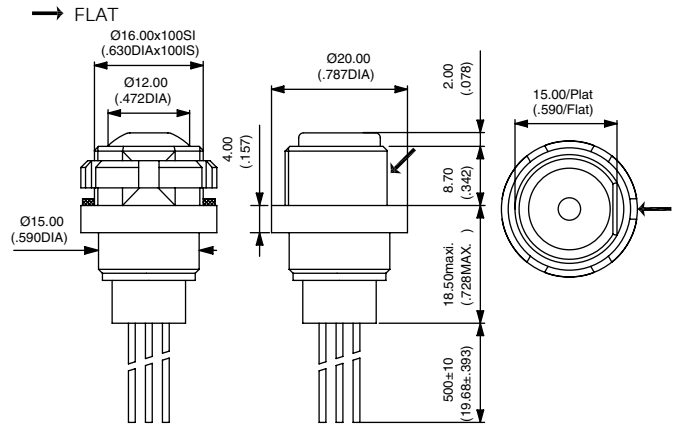
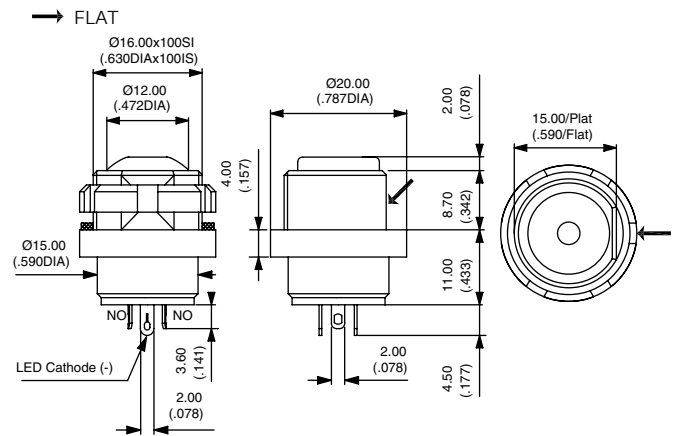
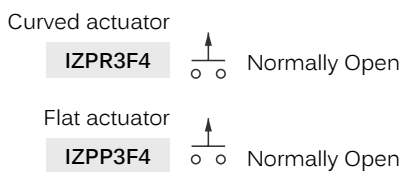
Wire colors : black : NO contact, red : LED anode(+), blue : LED cathode (-)

NON-ILLUMINATED - SOLDER LUG TERMINALS



Also available with straight PC terminals : **IZP•3P4**
and quick-connect terminals : **IZP•3Z4**.

NON-ILLUMINATED - FLYING LEAD TERMINALS



IZ series

Rear mounted sealed pushbutton switches •
bushing Ø 16 mm • momentary

NON-ILLUMINATED - SCREW TERMINALS SILVER CONTACTS



Curved actuator

IZPR3V2



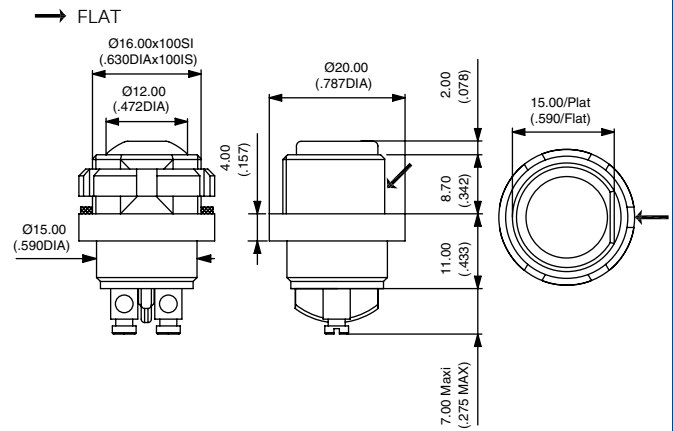
Normally Open

Flat actuator

IZPP3V2



Normally Open



ACTUATOR COLORS



- 1 Blue
- B Dark blue
- 2 Black
- 3 Green
- 4 Grey
- 5 Yellow
- 6 Red
- 7 White
- 8 Bright chrome
- 9 Orange
- A Satin chrome

BUSHING AND BEZEL



- 2 Black (standard)
- Other : on request.

LED COLORS



- Blank Non-illuminated
- LOS Super Red
- LOY Yellow
- LOG Green
- LOB Blue
- LOW White
- LSG Red/green
- LYG Yellow/green